

DOUBLE PITCH W/ GABLE END

ISOMETRIC VIEW

PLEASE NOTE

ALL DETAILS AS SHOWN ARE FOR REFERENCE ONLY AND SUBJECT TO CHANGE PER ACURLITE PROJECT PROPOSAL, SPECIFIC SITE CONDITIONS, ACURLITE P.E. ANALYSIS, AND GOVERNING CODE REQUIREMENTS.



acurlite
Structural Skylights, Inc.
www.acurlite.com sales@acurlite.com

© NOV 30, 2017

STANDARD
SYSTEM
DETAILS

SCALE:
N.T.S.

DRAWN BY:
K.A.M.

CHECKED BY:
C.H.M.

DATE - ISSUE:
11/30/17 - A

SHEET:
SAMPLE

OPTIONS FOR VISUAL ENHANCEMENT

STANDARD & CUSTOM FINISHES
(Paint, Anodize & Powder Coat Available)

SHADES/LOUVERS - PANELS - BIPV/DYNAMIC GLAZING
(Consult Factory For Your Project Specific Requirements)

VARIABLE SLOPE - ALL PITCHES AVAILABLE
(Consult Factory - Based On Project Specific Conditions)

INSULATED LAMINATED / LAMINATED GLAZING
INCLUDES ALL BACKER ROD & GLAZING SEALANTS
(Max Unit Size & Required Thickness - Per AAMA Guidelines)
(Glazing Calculations Provided For Additional Cost)

EXTRUDED ALUM. COVER CAP & PRESSURE CAP W/ GASKET

ALUM. GLASS REST & SILICONE SETTING BLOCK
(Located At Quarter Points - 2 Per Bay)

SILICONE GASKET

STRUCTURAL SEAL FLANGE - IF REQUIRED
(Factory Applied To Purlin - 1/4-20 x 3/4" Flat Head Screw)

EXTRUDED ALUMINUM PURLIN
(2 1/2" Width - Depth/Reinforcement Per Acurlite P.E. Analysis)

EXTRUDED ALUMINUM RAFTER
(2 1/2" Width - Depth/Reinforcement Per Acurlite P.E. Analysis)

OPTIONS FOR THERMAL ENHANCEMENT

DETAILS AS SHOWN ARE TYPICAL & FOR REFERENCE
(Consult Factory for Additional Modification & Performance Improvements)

INSULATED CLOSURE - FOR ADDITIONAL COST
(Factory Assembly Includes Rigid Insulation & Formed Backer)

MINERAL WOOL TO FILL VOIDS - FOR ADDITIONAL COST
(Standard Batt Type - Installer To Ensure System Weep Path Is NOT Blocked)

SILL LUG

(Lug Size, Type & Locations Per Acurlite P.E. Analysis)

FORMED EXTERIOR CLOSURE - 1/16" ALUM. STANDARD
(Consult Factory For Optional Thickness & Materials)
(Typical Splice Shown As Dashed Line - Locate As Required)

FORMED SILL PAN - 1/16" ALUM. STANDARD
(Consult Factory For Optional Thickness & Materials)

SPONGE GASKET - FACTORY APPLIED TO SILL PAN
(3/4" Void At System Weep As Required)

CURB / SUBSTRUCTURE BY OTHERS

DETAILS / MATERIALS PER CONTRACT DOCUMENTS
(Not By Acurlite - Provided By Others)

ISOLATION/WATERPROOF MEMBRANE
(Not By Acurlite - Provided By Others)

PROPER SUBSTRATE REQUIRED FOR ATTACHMENT
(Not By Acurlite - Provided By Others)

INSTALLATION

FASTENERS PROVIDED BY ACURLITE
(Fastener Size & Type Per Acurlite P.E. Analysis Unless Noted)

INSTALL GLAZING PER INDUSTRY STANDARDS
(Follow GANA Guidelines & Acurlite Installation Manual)

USE SPECIFIED DOW CORNING SILICONE
(Per Acurlite P.E. Analysis & Installation Manual)

SNAP ON COVER CAP
(Not Required For Water Tightness)

FASTEN PRESSURE CAP TO RAFTER & APPLY SEAL

BACKER ROD & CONTINUOUS SEAL

APPLY CONT. STRUCTURAL SEAL - IF REQUIRED

FASTEN EXTERIOR CLOSURE TO PURLIN / FLANGE

FASTEN PURLIN ASSEMBLY TO RAFTER

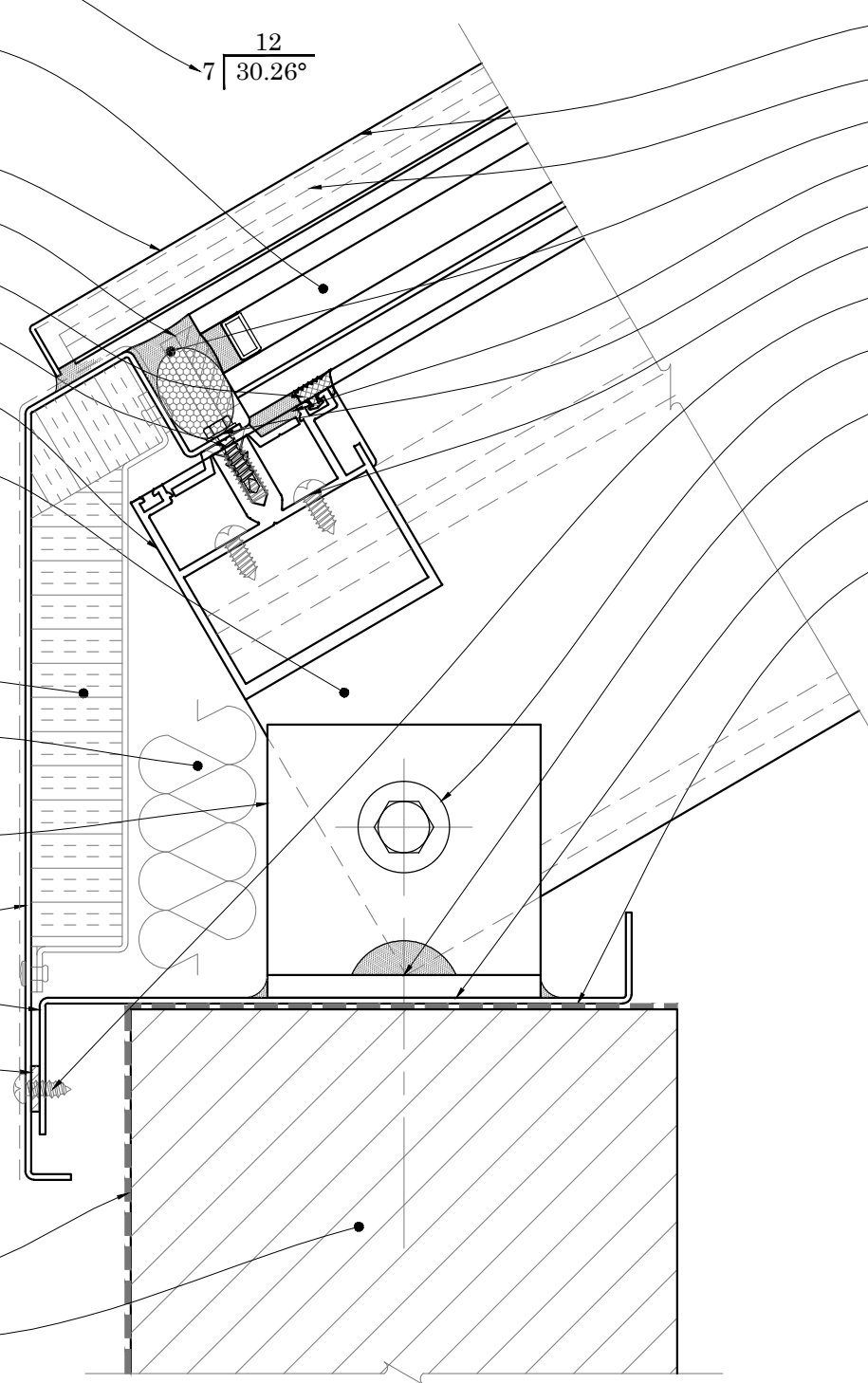
FASTEN EXTERIOR CLOSURE TO SILL PAN
(Use #10 x 1/2" Pan Head S.M.S. - Locate 12" O.C. Typical)

FASTEN RAFTER ASSEMBLY TO LUGS - IF REQ.

FASTEN SILL LUG TO CURB
(Seal In & Around Lug & Fastener)

FULL BEARING SHIM - IF REQUIRED
(1/4" Max. Shim Space Typical - Unless Noted Otherwise)
(Not by Acurlite - Provided By Others)

INSTALL SILL PAN IN BED OF SEALANT



PLEASE NOTE

CURB MUST RESIST ALL LOADS/REACTIONS IMPOSED BY SKYLIGHT
(Reactions Provided By Acurlite P.E.)
(Responsible E.O.R. to Verify and Approve)

CURB SHOULD BE PLUMB, LEVEL & SQUARE PER INDUSTRY STANDARD TOLERANCES
(Max Allowed ±1/8" PER 12' - 0" - Unless Noted Otherwise)
(Not By Acurlite - Provided By Others)

ALL ROOFING, TERMINATION BARS, REGLETS, COUNTER FLASHINGS & FLASHINGS NOT INTEGRAL TO SKYLIGHT SYSTEM FUNCTION
(Not By Acurlite - Provided By Others)

D1 SILL TYPICAL DETAIL

PLEASE NOTE

ALL DETAILS AS SHOWN ARE FOR REFERENCE ONLY AND SUBJECT TO CHANGE PER ACURLITE PROJECT PROPOSAL, SPECIFIC SITE CONDITIONS, ACURLITE P.E. ANALYSIS, AND GOVERNING CODE REQUIREMENTS.


acurlite
 Structural Skylights, Inc.
 www.acurlite.com sales@acurlite.com
 © NOV 30, 2017
 570.759.6882

STANDARD SYSTEM DETAILS

SCALE:	6" = 1' - 0"
DRAWN BY:	K.A.M.
CHECKED BY:	C.H.M.
DATE - ISSUE:	11/30/17 - A
SHEET:	D1

OPTIONS FOR VISUAL ENHANCEMENT

STANDARD & CUSTOM FINISHES
(Paint, Anodize & Powder Coat Available)

SHADES/LOUVERS - PANELS - BIPV/DYNAMIC GLAZING
(Consult Factory For Your Project Specific Requirements)

VARIABLE SLOPE - ALL PITCHES AVAILABLE
(Consult Factory - Based On Project Specific Conditions)

INSULATED LAMINATED / LAMINATED GLAZING
INCLUDES ALL BACKER ROD & GLAZING SEALANTS
(Max Unit Size & Required Thickness - Per AAMA Guidelines)
(Glazing Calculations Can Be Provided For Additional Cost)

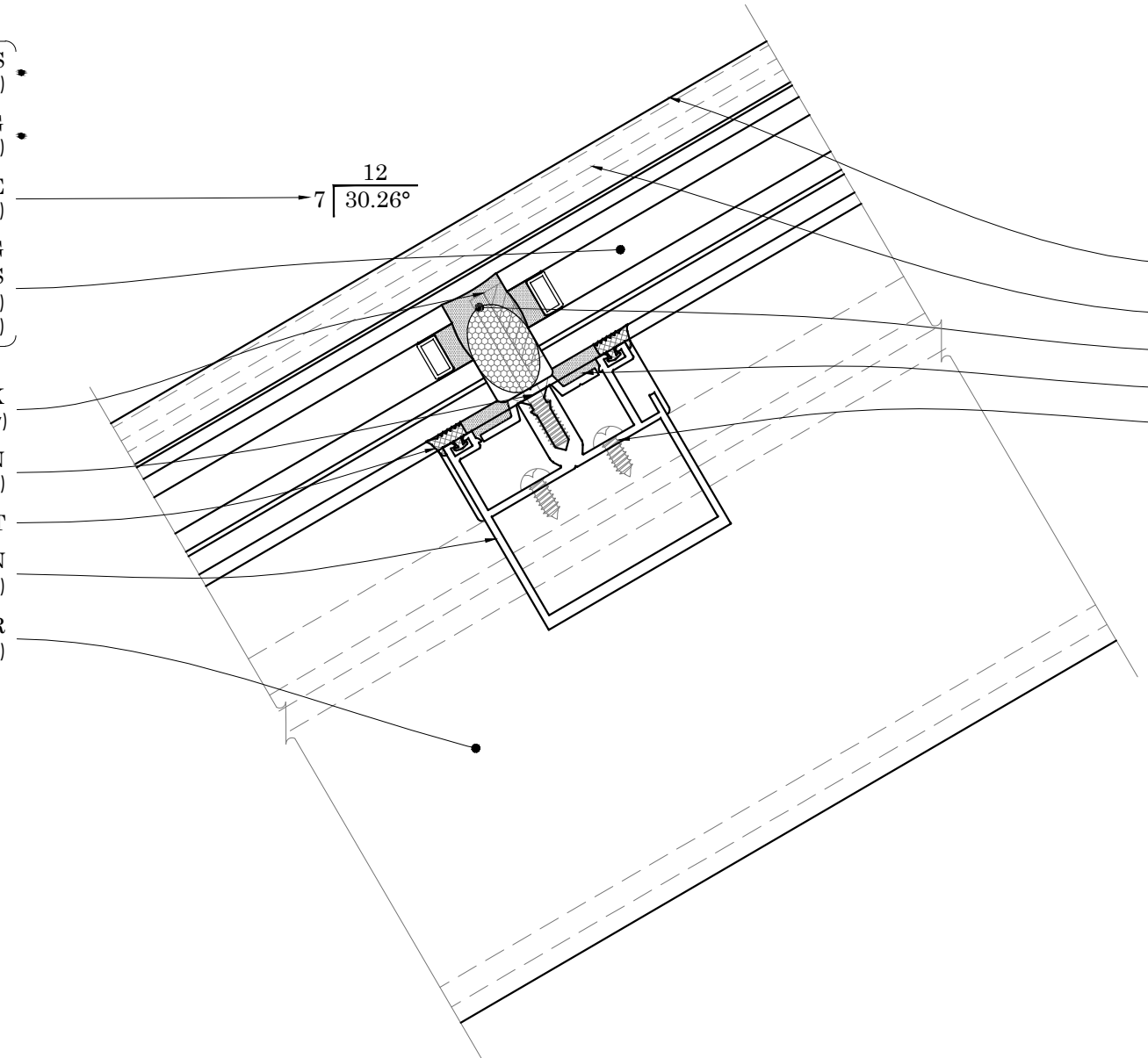
ALUM. GLASS REST & SILICONE SETTING BLOCK
(Located At Quarter Points - 2 Per Bay)

STRUCTURAL SEAL FLANGE FASTENED TO PURLIN
(Factory Applied To Purlin - 1/4-20 x 3/4" Flat Head Screw)

SILICONE GASKET

EXTRUDED ALUM. PURLIN
(2 1/2" Width - Depth/Reinforcement Per Acurlite P.E. Analysis)

EXTRUDED ALUM. RAFTER
(2 1/2" Width - Depth/Reinforcement Per Acurlite P.E. Analysis)



INSTALLATION

FASTENERS PROVIDED BY ACURLITE
(Fastener Size & Type Per Acurlite P.E. Analysis Unless Noted)

INSTALL GLAZING PER INDUSTRY STANDARDS
(Follow GANA Guidelines & Acurlite Installation Manual)

USE SPECIFIED DOW CORNING SILICONE
(Per Acurlite P.E. Analysis & Installation Manual)

SNAP ON COVER CAP
(Not Required For Water Tightness)

FASTEN PRESSURE CAP TO RAFTER & APPLY SEAL

BACKER ROD & CONTINUOUS SEAL

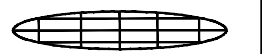
APPLY CONT. STRUCTURAL SEAL - IF REQUIRED

FASTEN PURLIN ASSEMBLY TO RAFTER

D2 PURLIN TYPICAL DETAIL

PLEASE NOTE

ALL DETAILS AS SHOWN ARE FOR REFERENCE ONLY AND SUBJECT TO CHANGE PER ACURLITE PROJECT PROPOSAL, SPECIFIC SITE CONDITIONS, ACURLITE P.E. ANALYSIS, AND GOVERNING CODE REQUIREMENTS.



acurlite
Structural Skylights, Inc.
www.acurlite.com sales@acurlite.com

© NOV 30, 2017

570.759.6882

STANDARD SYSTEM DETAILS

SCALE:
6" = 1' - 0"

DRAWN BY:
K.A.M.

CHECKED BY:
C.H.M.

DATE - ISSUE:
11/30/17 - A

SHEET:
D2

PLEASE NOTE

ALL DETAILS AS SHOWN ARE FOR REFERENCE ONLY AND SUBJECT TO CHANGE PER ACURLITE PROJECT PROPOSAL, SPECIFIC SITE CONDITIONS, ACURLITE P.E. ANALYSIS, AND GOVERNING CODE REQUIREMENTS.



acurlite
Structural Skylights, Inc.
www.acurlite.com sales@acurlite.com

© NOV 30, 2017

570.759.6882

STANDARD SYSTEM DETAILS

SCALE:
6" = 1' - 0"

DRAWN BY:
K.A.M.

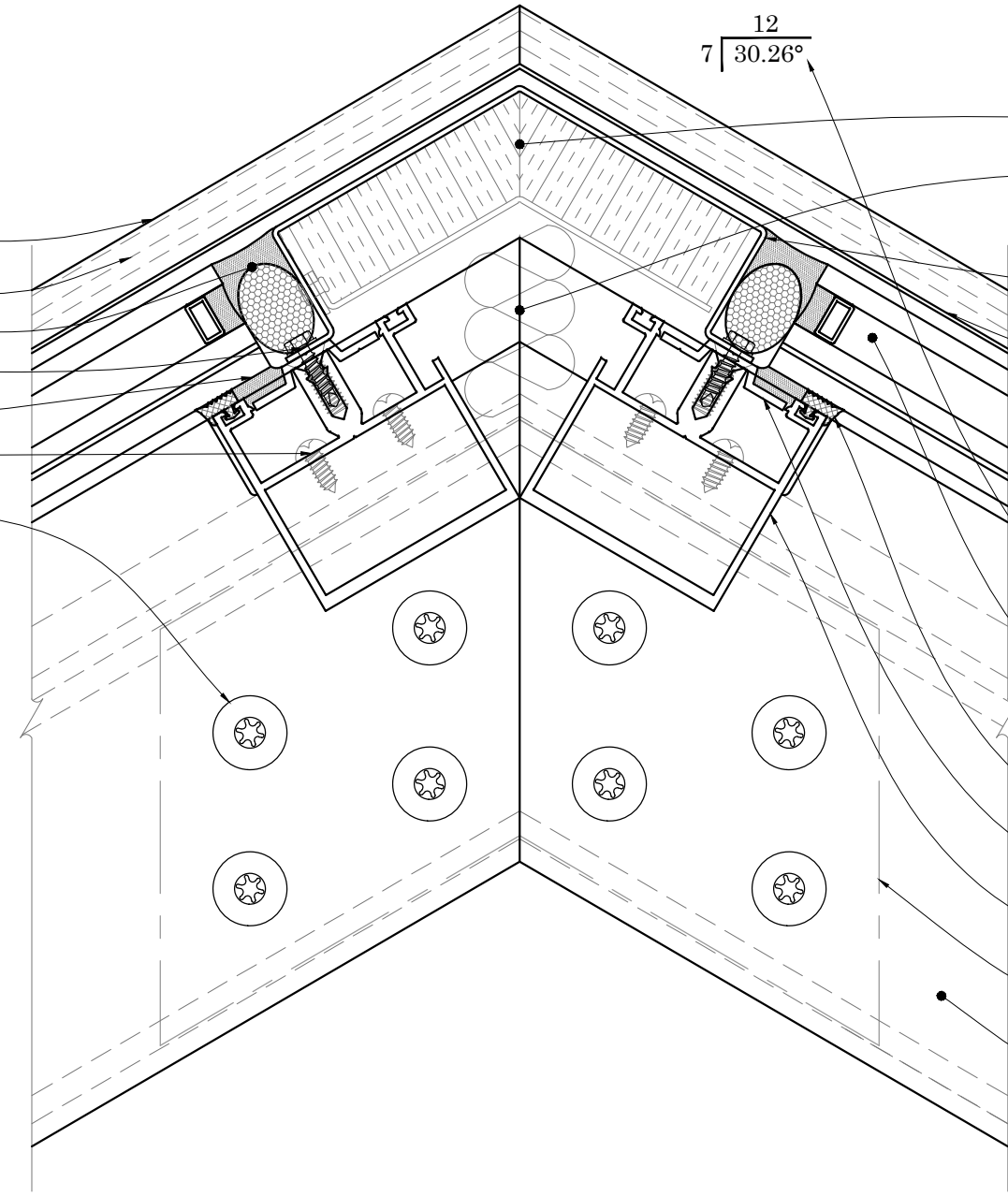
CHECKED BY:
C.H.M.

DATE - ISSUE:
11/30/17 - A

SHEET:
D3

INSTALLATION

- FASTENERS PROVIDED BY ACURLITE
(Fastener Size & Type Per Acurlite P.E. Analysis Unless Noted)
- INSTALL GLAZING PER INDUSTRY STANDARDS
(Follow GANA Guidelines & Acurlite Installation Manual)
- USE SPECIFIED DOW CORNING SILICONE
(Per Acurlite P.E. Analysis & Installation Manual)
- SNAP ON COVER CAP
(Not Required For Water Tightness)
- FASTEN PRESSURE CAP TO RAFTER & APPLY SEAL
BACKER ROD & CONTINUOUS SEAL
- FASTEN EXTERIOR CLOSURE TO PURLIN / FLANGE
- APPLY CONT. STRUCTURAL SEAL - IF REQUIRED
- FASTEN PURLIN ASSEMBLIES TO RAFTER
- FASTEN RAFTER ASSEMBLIES TOGETHER - IF REQ.
(Gusset Factory Applied to (1) Rafter Assembly Of Each Pair)



OPTIONS FOR THERMAL ENHANCEMENT

- DETAILS AS SHOWN ARE TYPICAL & FOR REFERENCE
(Consult Factory for Additional Modification & Performance Improvements)
- INSULATED CLOSURE - FOR ADDITIONAL COST
(Factory Assembly Includes Rigid Insulation & Formed Backer)
- MINERAL WOOL TO FILL VOIDS - FOR ADDITIONAL COST
(Standard Batt Type - Installer To Ensure System Weep Path Is NOT Blocked)

- FORMED EXTERIOR CLOSURE - 1/16" ALUM. STANDARD
(Consult Factory For Optional Thickness & Materials)
(Typical Splice Shown As Dashed Line - Locate As Required)
- EXTRUDED ALUM. COVER CAP & PRESSURE CAP W/ GASKET

OPTIONS FOR VISUAL ENHANCEMENT

- STANDARD & CUSTOM FINISHES
(Paint, Anodize & Powder Coat Available)
- SHADES/LOUVERS - PANELS - BIPV/DYNAMIC GLAZING
(Consult Factory For Your Project Specific Requirements)
- VARIABLE SLOPE - ALL PITCHES AVAILABLE
(Consult Factory - Based On Project Specific Conditions)
- INSULATED LAMINATED / LAMINATED GLAZING
INCLUDES ALL BACKER ROD & GLAZING SEALANTS
(Max Unit Size & Required Thickness - Per AAMA Guidelines)
(Glazing Calculations Provided For Additional Cost)

- SILICONE GASKET
- STRUCTURAL SEAL FLANGE - IF REQUIRED
(Factory Applied To Purlin - 1/4-20 x 3/4" Flat Head Screw)
- EXTRUDED ALUMINUM PURLIN
(2 1/2" Width - Depth/Reinforcement Per Acurlite P.E. Analysis)
- ALUMINUM GUSSET PLATES
(Size, Thickness & Type Per Acurlite P.E. Analysis)
- EXTRUDED ALUMINUM RAFTER
(2 1/2" Width - Depth/Reinforcement Per Acurlite P.E. Analysis)

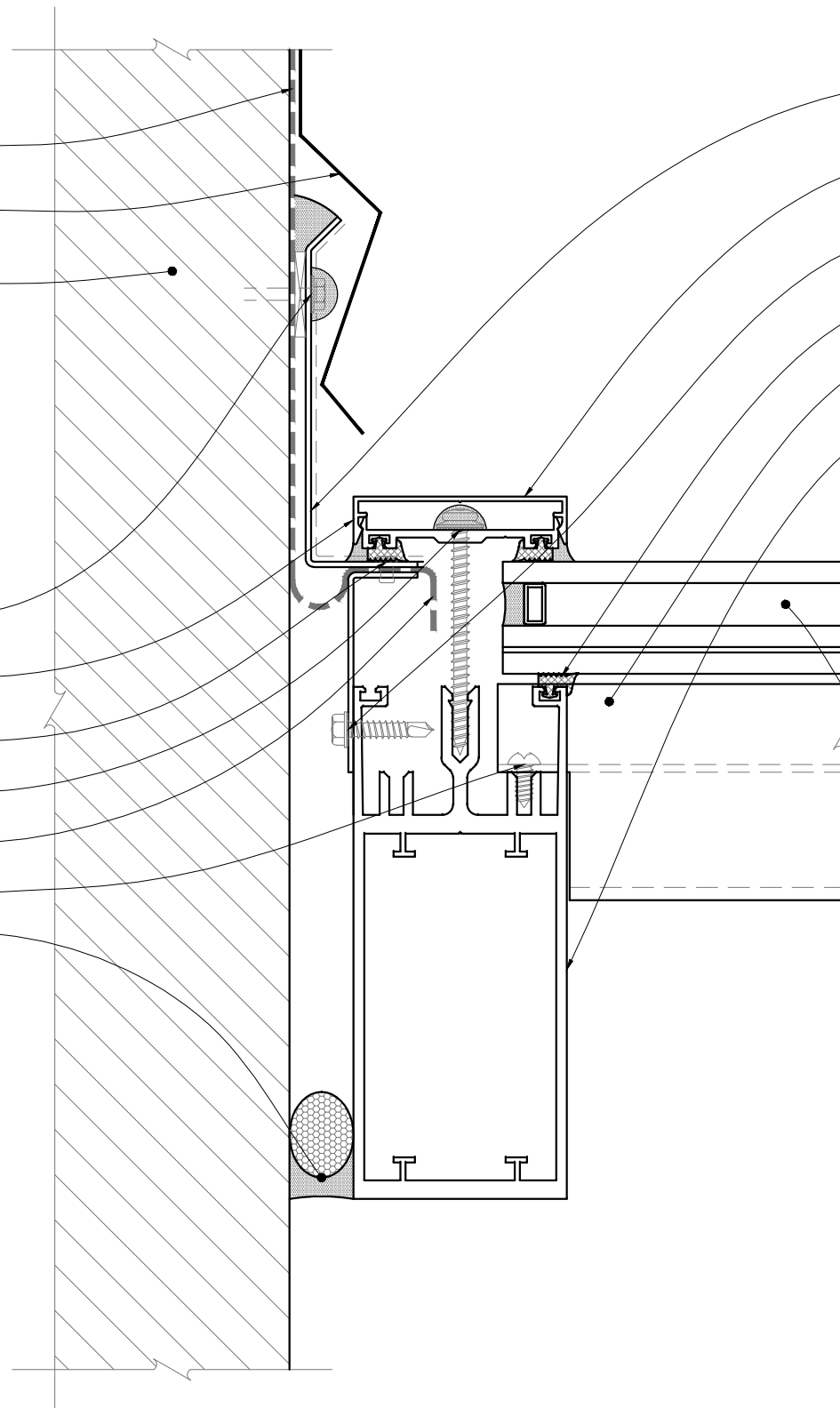
D3 **RIDGE**
TYPICAL DETAIL

CURB / SUBSTRUCTURE BY OTHERS

- DETAILS / MATERIALS PER CONTRACT DOCUMENTS
(Not By Acurlite - Provided By Others)
- ISOLATION/WATERPROOF MEMBRANE
(Not By Acurlite - Provided By Others)
- COUNTER FLASHING & REGLETS
(Not By Acurlite - Provided By Others)
- PROPER SUBSTRATE REQUIRED FOR ATTACHMENT
(Not By Acurlite - Provided By Others)

INSTALLATION

- FASTENERS PROVIDED BY ACURLITE
(Fastener Size & Type Per Acurlite P.E. Analysis Unless Noted)
- INSTALL GLAZING PER INDUSTRY STANDARDS
(Follow GANA Guidelines & Acurlite Installation Manual)
- USE SPECIFIED DOW CORNING SILICONE
(Per Acurlite P.E. Analysis & Installation Manual)
- FASTEN EXTERIOR CLOSURE TO CURB
(Shim & Seal As Required)
- SNAP ON COVER CAP
(Not Required For Water Tightness)
- FASTEN EXTERIOR CLOSURE TO ANGLE SPACER
(Not By Acurlite - Provided By Others)
- FASTEN PRESSURE CAP TO RAFTER & APPLY SEAL
- LAP MEMBRANE INTO SYSTEM
(Not By Acurlite - Provided By Others)
- FASTEN PURLIN ASSEMBLY TO RAFTER
- BACKER ROD & CONTINUOUS SEAL



- FORMED EXTERIOR CLOSURE - 1/16" ALUM. STANDARD
(Consult Factory For Optional Thickness & Materials)
(Typical Splice Shown As Dashed Line - Locate As Required)
- EXTRUDED ALUM. COVER CAP & PRESSURE CAP W/ GASKET
- FORMED ANGLE SPACER - 1/16" ALUM. STANDARD
(Consult Factory For Optional Thickness & Materials)
(Factory Applied To Rafter)
- SILICONE GASKET
- EXTRUDED ALUM. PURLIN
(2 1/2" Width - Depth/Reinforcement Per Acurlite P.E. Analysis)
- EXTRUDED ALUM. RAFTER
(2 1/2" Width - Depth/Reinforcement Per Acurlite P.E. Analysis)

OPTIONS FOR VISUAL ENHANCEMENT

- STANDARD & CUSTOM FINISHES
(Paint, Anodize & Powder Coat Available)
- SHADES/LOUVERS - PANELS - BIPV/DYNAMIC GLAZING
(Consult Factory for your project specific needs)
- VARIABLE SLOPE - ALL PITCHES AVAILABLE
(Consult Factory - Based On Project Specific Conditions)
- INSULATED LAMINATED / LAMINATED GLAZING
INCLUDES ALL BACKER ROD & GLAZING SEALANTS
(Max Unit Size & Required Thickness - Per AAMA Guidelines)
(Glazing Calculations Can Be Provided For Additional Cost)

PLEASE NOTE

CURB MUST RESIST ALL LOADS/REACTIONS IMPOSED BY SKYLIGHT
(Reactions Provided By Acurlite P.E.)
(Responsible E.O.R. to Verify and Approve)

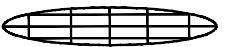
CURB SHOULD BE PLUMB, LEVEL & SQUARE PER INDUSTRY STANDARD TOLERANCES
(Max Allowed ±1/8" PER 12' - 0" - Unless Noted Otherwise)
(Not By Acurlite - Provided By Others)

ALL ROOFING, TERMINATION BARS, REGLETS, COUNTER FLASHINGS & FLASHINGS NOT INTEGRAL TO SKYLIGHT SYSTEM FUNCTION
(Not By Acurlite - Provided By Others)

D4 JAMB TYPICAL DETAIL

PLEASE NOTE

ALL DETAILS AS SHOWN ARE FOR REFERENCE ONLY AND SUBJECT TO CHANGE PER ACURLITE PROJECT PROPOSAL, SPECIFIC SITE CONDITIONS, ACURLITE P.E. ANALYSIS, AND GOVERNING CODE REQUIREMENTS.



acurlite
Structural Skylights, Inc.

© NOV 30, 2017

570.759.6882 www.acurlite.com sales@acurlite.com

STANDARD SYSTEM DETAILS

SCALE: 6" = 1' - 0"

DRAWN BY: K.A.M.

CHECKED BY: C.H.M.

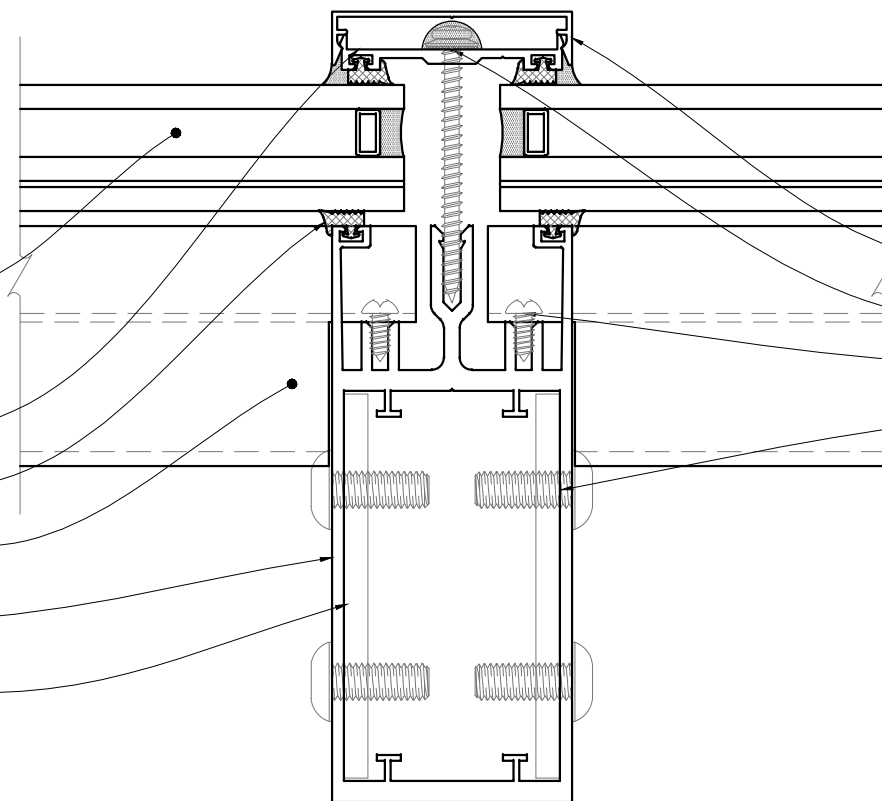
DATE - ISSUE: 11/30/17 - A

SHEET: D4

OPTIONS FOR VISUAL ENHANCEMENT

- STANDARD & CUSTOM FINISHES
(Paint, Anodize & Powder Coat Available)
- SHADES/LOUVERS - PANELS - BIPV/DYNAMIC GLAZING
(Consult Factory for your project specific needs)
- VARIABLE SLOPE - ALL PITCHES AVAILABLE
(Consult Factory - Based On Project Specific Conditions)
- INSULATED LAMINATED / LAMINATED GLAZING
INCLUDES ALL BACKER ROD & GLAZING SEALANTS
(Max Unit Size & Required Thickness - Per AAMA Guidelines)
(Glazing Calculations Can Be Provided For Additional Cost)

- EXTRUDED ALUM. COVER CAP
& PRESSURE CAP W/ GASKET
- SILICONE GASKET
- EXTRUDED ALUM. PURLIN
(2 1/2" Width - Depth/Reinforcement Per Acurlite P.E. Analysis)
- EXTRUDED ALUM. RAFTER
(2 1/2" Width - Depth/Reinforcement Per Acurlite P.E. Analysis)
- ALUM. GUSSET PLATES
(Size & Type Per Acurlite P.E. Analysis)



INSTALLATION

- FASTENERS PROVIDED BY ACURLITE
(Fastener Size & Type Per Acurlite P.E. Analysis Unless Noted)
- INSTALL GLAZING PER INDUSTRY STANDARDS
(Follow GANA Guidelines & Acurlite Installation Manual)
- USE SPECIFIED DOW CORNING SILICONE
(Per Acurlite P.E. Analysis & Installation Manual)
- SNAP ON COVER CAP
(Not Required for Water tightness)
- FASTEN PRESSURE CAP TO RAFTER & APPLY SEAL
- FASTEN PURLIN ASSEMBLY TO RAFTER
- FASTEN RAFTER ASSEMBLIES TOGETHER - IF REQ.
(Gusset Factory Applied to (1) Rafter Assembly Of Each Pair)

D5 RAFTER
TYPICAL DETAIL

PLEASE NOTE

ALL DETAILS AS SHOWN ARE FOR REFERENCE ONLY AND SUBJECT TO CHANGE PER ACURLITE PROJECT PROPOSAL, SPECIFIC SITE CONDITIONS, ACURLITE P.E. ANALYSIS, AND GOVERNING CODE REQUIREMENTS.



acurlite
Structural Skylights, Inc.
www.acurlite.com sales@acurlite.com

© NOV 30, 2017

570.759.6882

STANDARD SYSTEM DETAILS

SCALE:
6" = 1' - 0"

DRAWN BY:
K.A.M.

CHECKED BY:
C.H.M.

DATE - ISSUE:
11/30/17 - A

SHEET:
D5

OPTIONS FOR VISUAL ENHANCEMENT

STANDARD & CUSTOM FINISHES
(Paint, Anodize & Powder Coat Available)

SHADES/LOUVERS - PANELS - BIPV/DYNAMIC GLAZING
(Consult Factory for your project specific needs)

VARIABLE SLOPE - ALL PITCHES AVAILABLE
(Consult Factory - Based On Project Specific Conditions)

INSULATED LAMINATED / LAMINATED GLAZING
INCLUDES ALL BACKER ROD & GLAZING SEALANTS
(Max Unit Size & Required Thickness - Per AAMA Guidelines)
(Glazing Calculations Can Be Provided For Additional Cost)

EXTRUDED ALUM. COVER CAP
& PRESSURE CAP W/ GASKET

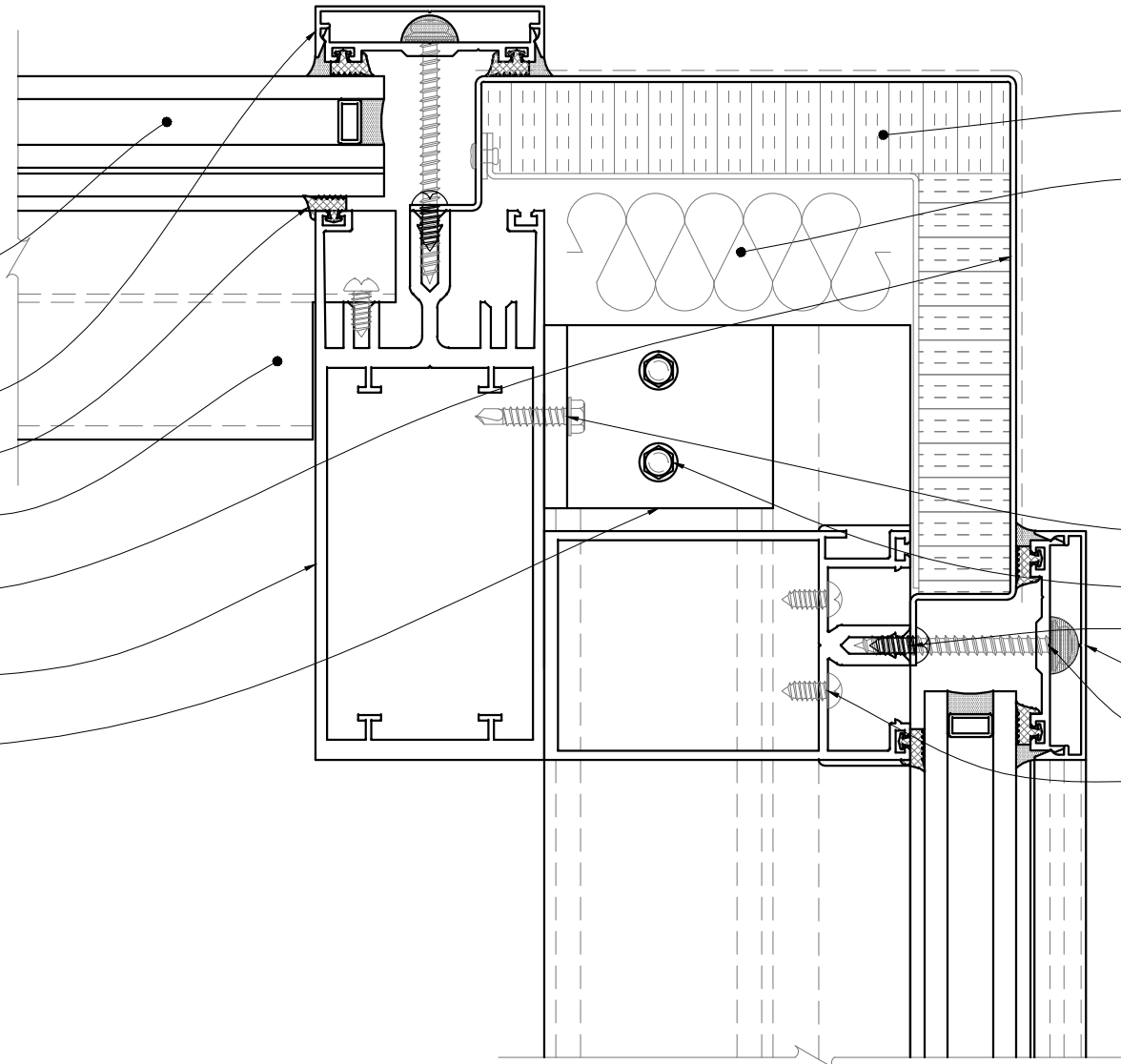
SILICONE GASKET

EXTRUDED ALUM. PURLIN
(2 1/2" Width - Depth/Reinforcement Per Acurlite P.E. Analysis)

FORMED EXTERIOR CLOSURE - 1/16" ALUM. STANDARD
(Consult Factory For Optional Thickness & Materials)
(Typical Splice Shown As Dashed Line - Locate As Required)

EXTRUDED ALUM. RAFTER
(2 1/2" Width - Depth/Reinforcement Per Acurlite P.E. Analysis)

GABLE HEAD LUG
(Lug Size, Type & Locations Per Acurlite P.E. Analysis)



OPTIONS FOR THERMAL ENHANCEMENT

DETAILS AS SHOWN ARE TYPICAL & FOR REFERENCE
(Consult Factory for Additional Modification & Performance Improvements)

INSULATED CLOSURE - FOR ADDITIONAL COST
(Factory Assembly Includes Rigid Insulation & Formed Alum. Backer)

MINERAL WOOL TO FILL VOIDS - FOR ADDITIONAL COST
(Standard Batt Type - Installer To Ensure System Weep Path Is NOT Blocked)

INSTALLATION

FASTENERS PROVIDED BY ACURLITE
(Fastener Size & Type Per Acurlite P.E. Analysis Unless Noted)

INSTALL GLAZING PER INDUSTRY STANDARDS
(Follow GANA Guidelines & Acurlite Installation Manual)

USE SPECIFIED DOW CORNING SILICONE
(Per Acurlite P.E. Analysis & Installation Manual)

FASTEN HEAD LUG TO RAFTER
(Seal In & Around Lug & Fastener)

FASTEN RAFTER ASSEMBLY TO LUGS - IF REQ.

FASTEN EXTERIOR CLOSURE TO PURLIN / FLANGE

SNAP ON COVER CAP
(Not Required For Water Tightness)

FASTEN PRESSURE CAP TO RAFTER & APPLY SEAL

FASTEN PURLIN ASSEMBLY TO RAFTER

D6 **GABLE HEAD**
TYPICAL DETAIL

PLEASE NOTE

ALL DETAILS AS SHOWN ARE FOR REFERENCE
ONLY AND SUBJECT TO CHANGE PER
ACURLITE PROJECT PROPOSAL, SPECIFIC SITE
CONDITIONS, ACURLITE P.E. ANALYSIS, AND
GOVERNING CODE REQUIREMENTS.

acurlite
Structural Skylights, Inc.
www.acurlite.com sales@acurlite.com

© NOV 30, 2017
570.759.6882

**STANDARD
SYSTEM
DETAILS**

SCALE:
6" = 1' - 0"

DRAWN BY:
K.A.M.

CHECKED BY:
C.H.M.

DATE - ISSUE:
11/30/17 - A

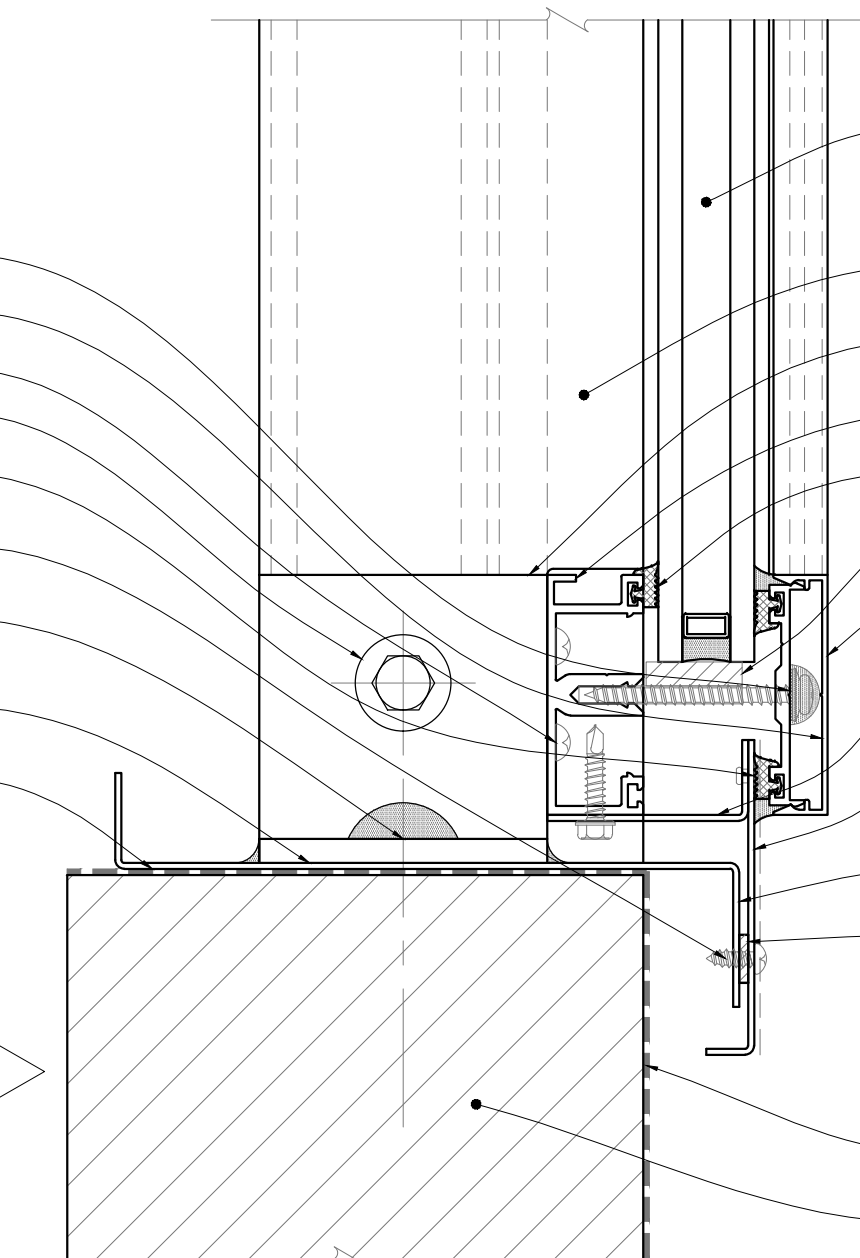
SHEET:
D6

INSTALLATION

- FASTENERS PROVIDED BY ACURLITE
(Fastener Size & Type Per Acurlite P.E. Analysis Unless Noted)
- INSTALL GLAZING PER INDUSTRY STANDARDS
(Follow GANA Guidelines & Acurlite Installation Manual)
- USE SPECIFIED DOW CORNING SILICONE
(Per Acurlite P.E. Analysis & Installation Manual)
- FASTEN PRESSURE CAP TO RAFTER & APPLY SEAL
SNAP ON COVER CAP
(Not Required For Water Tightness)
- FASTEN PURLIN ASSEMBLY TO RAFTER
- FASTEN RAFTER ASSEMBLY TO LUGS - IF REQ.
- FASTEN EXTERIOR CLOSURE TO ANGLE SPACER
(Use Pop Rivets As Required)
- FASTEN EXTERIOR CLOSURE TO SILL PAN
(Use #10 x 1/2" Pan Head S.M.S. - Locate 12" O.C. Typical)
- FASTEN SILL LUG TO CURB
(Seal In & Around Lug & Fastener)
- FULL BEARING SHIM - IF REQUIRED
(1/4" Max. Shim Space Typical - Unless Noted Otherwise)
(Not by Acurlite - Provided By Others)
- INSTALL SILL PAN IN BED OF SEALANT

PLEASE NOTE

- CURB MUST RESIST ALL LOADS/REACTIONS
IMPOSED BY SKYLIGHT
(Reactions Provided By Acurlite P.E.)
(Responsible E.O.R. to Verify and Approve)
- CURB SHOULD BE PLUMB, LEVEL & SQUARE
PER INDUSTRY STANDARD TOLERANCES
(Max Allowed ±1/8" PER 12' - 0" - Unless Noted Otherwise)
(Not By Acurlite - Provided By Others)
- ALL ROOFING, TERMINATION BARS, REGLETS,
COUNTER FLASHINGS & FLASHINGS NOT
INTEGRAL TO SKYLIGHT SYSTEM FUNCTION
(Not By Acurlite - Provided By Others)



OPTIONS FOR VISUAL ENHANCEMENT

- STANDARD & CUSTOM FINISHES
(Paint, Anodize & Powder Coat Available)
- SHADES/LOUVERS - PANELS - BIPV/DYNAMIC GLAZING
(Consult Factory for your project specific needs)
- VARIABLE SLOPE - ALL PITCHES AVAILABLE
(Consult Factory - Based On Project Specific Conditions)
- INSULATED LAMINATED / LAMINATED GLAZING
INCLUDES ALL BACKER ROD & GLAZING SEALANTS
(Max Unit Size & Required Thickness - Per AAMA Guidelines)
(Glazing Calculations Can Be Provided For Additional Cost)

- EXTRUDED ALUM. RAFTER
(2 1/2" Width - Depth/Reinforcement Per Acurlite P.E. Analysis)
- SILL LUG
(Lug Size, Type & Locations Per Acurlite P.E. Analysis)
- EXTRUDED ALUM. PURLIN
(2 1/2" Width - Depth/Reinforcement Per Acurlite P.E. Analysis)
- SILICONE GASKET
- ALUM. GLASS REST & SILICONE SETTING BLOCK
(Located At Quarter Points - 2 Per Bay)
- EXTRUDED ALUM. COVER CAP
& PRESSURE CAP W/ GASKET
- FORMED ANGLE SPACER - 1/16" ALUM. STANDARD
(Consult Factory For Optional Thickness & Materials)
(Factory Applied To Purlin)
- FORMED EXTERIOR CLOSURE - 1/16" ALUM. STANDARD
(Consult Factory For Optional Thickness & Materials)
(Typical Splice Shown As Dashed Line - Locate As Required)
- FORMED SILL PAN - 1/16" ALUM. STANDARD
(Consult Factory For Optional Thickness & Materials)
- SPONGE GASKET - FACTORY APPLIED TO SILL PAN
(3/4" Void At System Weep As Required)

CURB / SUBSTRUCTURE BY OTHERS

- DETAILS / MATERIALS PER CONTRACT DOCUMENTS
(Not By Acurlite - Provided By Others)
- ISOLATION/WATERPROOF MEMBRANE
(Not By Acurlite - Provided By Others)
- PROPER SUBSTRATE REQUIRED FOR ATTACHMENT
(Not By Acurlite - Provided By Others)

D7 GABLE SILL
TYPICAL DETAIL

PLEASE NOTE

ALL DETAILS AS SHOWN ARE FOR REFERENCE
ONLY AND SUBJECT TO CHANGE PER
ACURLITE PROJECT PROPOSAL, SPECIFIC SITE
CONDITIONS, ACURLITE P.E. ANALYSIS, AND
GOVERNING CODE REQUIREMENTS.



acurlite
Structural Skylights, Inc.
www.acurlite.com sales@acurlite.com

© NOV 30, 2017

570.759.6882

STANDARD SYSTEM DETAILS

SCALE:
6" = 1' - 0"

DRAWN BY:
K.A.M.

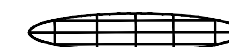
CHECKED BY:
C.H.M.

DATE - ISSUE:
11/30/17 - A

SHEET:
D7

PLEASE NOTE

ALL DETAILS AS SHOWN ARE FOR REFERENCE ONLY AND SUBJECT TO CHANGE PER ACURLITE PROJECT PROPOSAL, SPECIFIC SITE CONDITIONS, ACURLITE P.E. ANALYSIS, AND GOVERNING CODE REQUIREMENTS.



acurlite
Structural Skylights, Inc.

© NOV 30, 2017

570.759.6882 www.acurlite.com sales@acurlite.com

STANDARD SYSTEM DETAILS

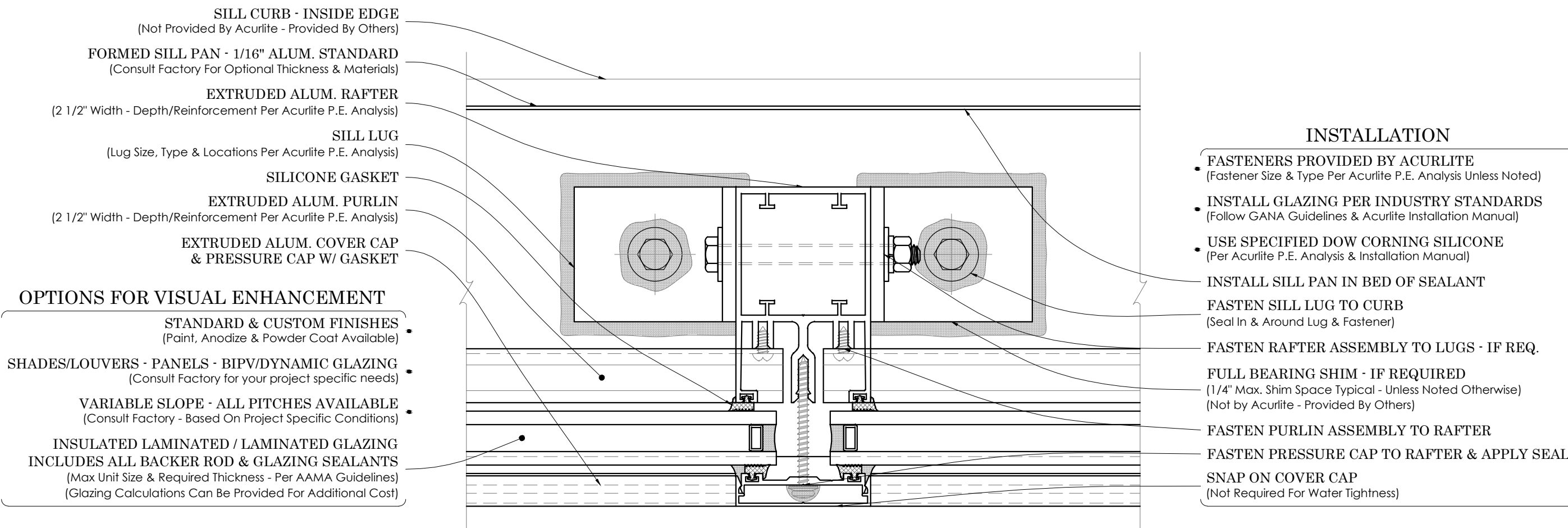
SCALE:
6" = 1' - 0"

DRAWN BY:
K.A.M.

CHECKED BY:
C.H.M.

DATE - ISSUE:
11/30/17 - A

SHEET:
D8



- SILL CURB - INSIDE EDGE
(Not Provided By Acurlite - Provided By Others)
- FORMED SILL PAN - 1/16" ALUM. STANDARD
(Consult Factory For Optional Thickness & Materials)
- EXTRUDED ALUM. RAFTER
(2 1/2" Width - Depth/Reinforcement Per Acurlite P.E. Analysis)
- SILL LUG
(Lug Size, Type & Locations Per Acurlite P.E. Analysis)
- SILICONE GASKET
- EXTRUDED ALUM. PURLIN
(2 1/2" Width - Depth/Reinforcement Per Acurlite P.E. Analysis)
- EXTRUDED ALUM. COVER CAP & PRESSURE CAP W/ GASKET

- OPTIONS FOR VISUAL ENHANCEMENT**
- STANDARD & CUSTOM FINISHES
(Paint, Anodize & Powder Coat Available)
 - SHADES/LOUVERS - PANELS - BIPV/DYNAMIC GLAZING
(Consult Factory for your project specific needs)
 - VARIABLE SLOPE - ALL PITCHES AVAILABLE
(Consult Factory - Based On Project Specific Conditions)
 - INSULATED LAMINATED / LAMINATED GLAZING
INCLUDES ALL BACKER ROD & GLAZING SEALANTS
(Max Unit Size & Required Thickness - Per AAMA Guidelines)
(Glazing Calculations Can Be Provided For Additional Cost)

- INSTALLATION**
- FASTENERS PROVIDED BY ACURLITE
(Fastener Size & Type Per Acurlite P.E. Analysis Unless Noted)
 - INSTALL GLAZING PER INDUSTRY STANDARDS
(Follow GANA Guidelines & Acurlite Installation Manual)
 - USE SPECIFIED DOW CORNING SILICONE
(Per Acurlite P.E. Analysis & Installation Manual)
 - INSTALL SILL PAN IN BED OF SEALANT
 - FASTEN SILL LUG TO CURB
(Seal In & Around Lug & Fastener)
 - FASTEN RAFTER ASSEMBLY TO LUGS - IF REQ.
 - FULL BEARING SHIM - IF REQUIRED
(1/4" Max. Shim Space Typical - Unless Noted Otherwise)
(Not by Acurlite - Provided By Others)
 - FASTEN PURLIN ASSEMBLY TO RAFTER
 - FASTEN PRESSURE CAP TO RAFTER & APPLY SEAL
 - SNAP ON COVER CAP
(Not Required For Water Tightness)

D8 **GABLE POST**
TYPICAL DETAIL