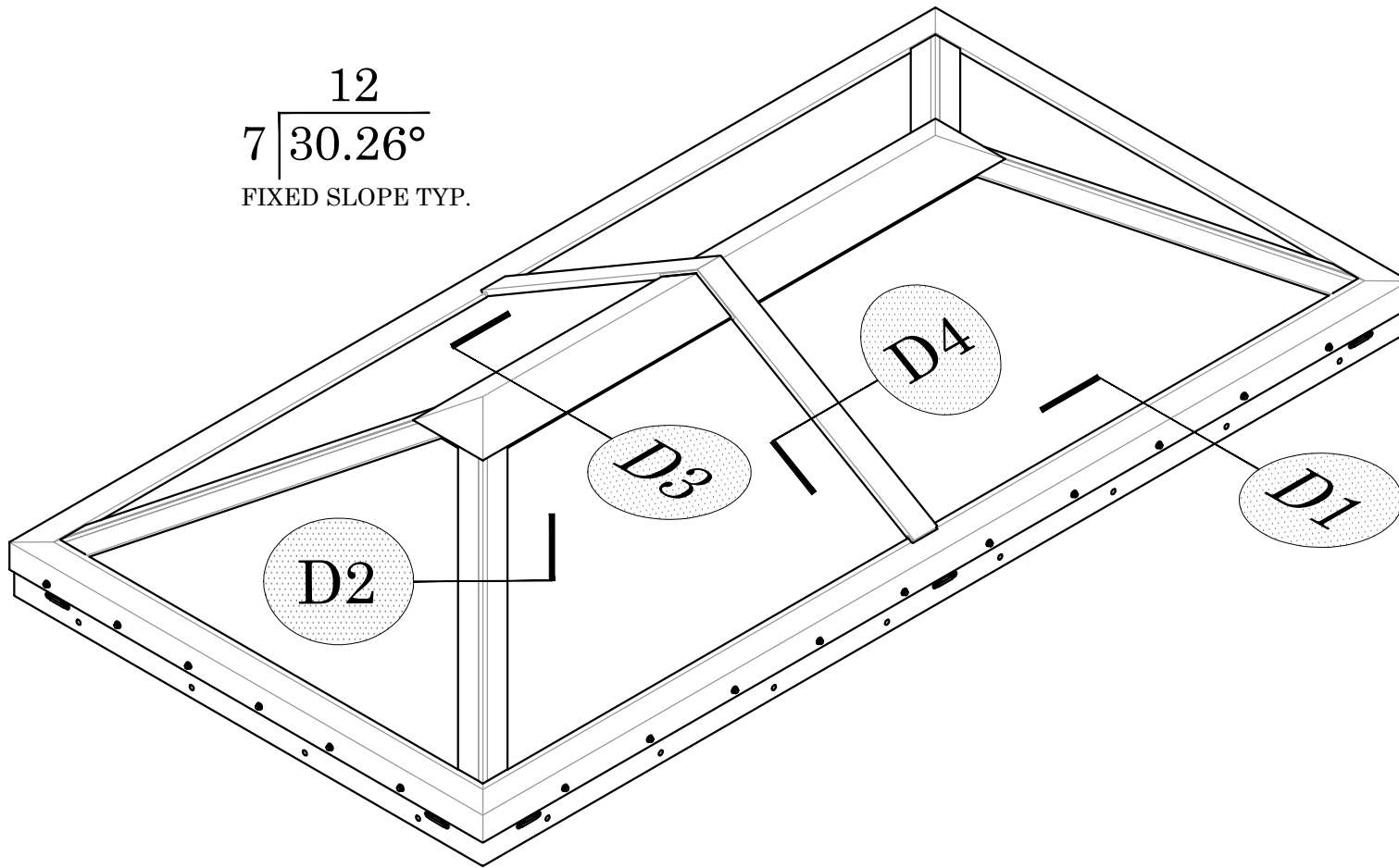


$$7 \left| \begin{array}{l} 12 \\ 30.26^\circ \end{array} \right.$$
 FIXED SLOPE TYP.



# DOUBLE PITCH w/ HIPS & RAFTER

ISOMETRIC VIEW



**acurlite**  
 Structural Skylights, Inc.  
 www.acurlite.com sales@acurlite.com

© NOV 20, 2017

570.759.6882

**EZ LITE  
 SYSTEM  
 DETAILS**

SCALE: N.T.S.

DRAWN BY: K.A.M.

CHECKED BY: C.H.M.

DATE - ISSUE: 11/20/17 - A

SHEET: **SAMPLE**

# GENERAL NOTES

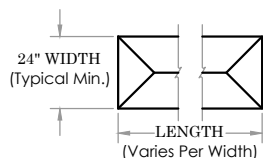
## • PRE-ASSEMBLED - PRE-GLAZED - EZ TO INSTALL

ALL UNITS SHIP FROM ACURLITE'S FACTORY COMPLETE AND READY TO INSTALL ON, A PRE-ENGINEERED CURB BY OTHERS. ACURLITE PROVIDES THE REQUIRED ZINC PERIMETER CURB FASTENERS, DOW CORNING 795 SILICONE FOR BED SEALANT STANDARD WITH ALL UNITS.

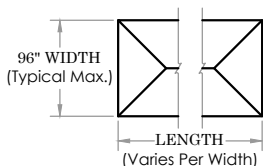
## • CUSTOM SIZES - PER PROJECT REQUIREMENTS

ACURLITE'S SYSTEM IS DESIGNED AND ENGINEERED TO BE VERSATILE. EACH SKYLIGHT IS ENGINEERED TO MEET OR EXCEED THE PROJECT'S SPECIFIC REQUIREMENTS. PLEASE CONSULT OUR FACTORY REGARDING CAPABILITIES AND AVAILABILITY OF YOUR NEEDS.

### MINIMUM SIZE:



### MAXIMUM SIZE:



PER PROJECT SPECIFIC LOADING REQUIREMENTS, SHIPPING, SITE LOGISTICS & GLAZING FABRICATION CAPABILITIES.

## • PROJECT SPECIFIC ACCOMMODATION

ALL DESIGN PARAMETERS AND DETAILS HEREIN ARE FOR REFERENCE ONLY AND SUBJECT TO CHANGE PER ACURLITE PROJECT PROPOSAL, SPECIFIC SITE CONDITIONS, ACURLITE P.E. ANALYSIS, AND GOVERNING CODE REQUIREMENTS. PLEASE CONSULT FACTORY FOR PROJECT SPECIFIC DETAILS.

## 1. WARRANTY

ACURLITE MATERIAL WARRANTY COVERS ALL ASSEMBLY AND SEALING PERFORMED IN OUR FACTORY. PASS THROUGH WARRANTY PROVIDED FOR FINISH AND GLAZING PER VENDOR / MANUFACTURER. ACURLITE CANNOT TAKE RESPONSIBILITY, NOR WARRANTY INSTALLATION, MODIFICATION AND/OR DAMAGE BY OTHER PARTIES. PLEASE REFER TO ACURLITE WARRANTY DOCUMENT FOR COMPLETE DETAILS.

## 2. INSTALLATION

NOTES & DETAILS HEREIN ARE FOR REFERENCE ONLY. PLEASE REFER TO ACURLITE'S EZ-LITE INSTALLATION MANUAL FOR COMPLETE DETAILS REGARDING INSTALLATION AND MAINTENANCE PROCEDURES.

## 3. OPTIONS

FULL RANGE OF STANDARD / CUSTOM COLORS AND FINISH TYPES ARE AVAILABLE UPON REQUEST.

GLASS THICKNESS RANGE FROM 5/16" TO 1-5/16" REQUIRED THICKNESS PER AAMA GUIDELINES MAKE UP PER ARCHITECT / PROJECT SPECIFICATION.

CONSULT FACTORY FOR PROJECT SPECIFIC REQUIREMENTS REGARDING ADDED INSULATION, CURB ATTACHMENT, ETC.

## 4. CURB BY OTHERS

CURB MUST RESIST ALL LOADS / REACTIONS IMPOSED BY SKYLIGHT. ACURLITE TO PROVIDE P.E. STAMPED CALCULATIONS, NOTING THOSE SPECIFIC LOADS / REACTIONS IMPOSED ON THE CURB. THE RESPONSIBLE ENGINEER OF RECORD TO VERIFY AND APPROVE.

CURB MUST BE FLAT, LEVEL AND SQUARE TO ACCEPT SKYLIGHT. FOLLOW INDUSTRY STANDARD TOLERANCES. NOT BY ACURLITE - PROVIDED BY OTHERS.

SOME LOCAL CODES MAY DICTATE THE CURB BE CONSTRUED OF MATERIALS DIFFERENT THAN DETAILED ON THESE DRAWINGS. PLEASE CONSULT FACTORY FOR YOUR SPECIFIC NEEDS.



**acurlite**  
Structural Skylights, Inc.

© NOV 20, 2017

www.acurlite.com sales@acurlite.com  
570.759.6882

## EZ LITE SYSTEM DETAILS

SCALE:

N.T.S.

DRAWN BY:

K.A.M.

CHECKED BY:

C.H.M.

DATE - ISSUE:

11/20/17 - A

SHEET:

D0



**acurlite**  
Structural Skylights, Inc.

sales@acurlite.com  
www.acurlite.com  
570.759.6882

© NOV 20, 2017

**EZ LITE  
SYSTEM  
DETAILS**

SCALE:  
**6" = 1' - 0"**

DRAWN BY:  
**K.A.M.**

CHECKED BY:  
**C.H.M.**

DATE - ISSUE:  
**11/20/17 - A**

SHEET:  
**D1**

**FACTORY ASSEMBLY<sup>1</sup>**

EXTRUDED ALUM. CURB CAP  
W/ GASKET & CONTINUOUS SEAL  
(Dow Corning 795 Silicone Applied)

EXTRUDED ALUM. GLASS REST &  
SILICONE SETTING BLOCK  
(Located At Quarter Points - 2 Per Bay)

.100" MIN. THICKNESS  
(Typical Structural Members)

SILICONE GASKET

CURB CAP FASTENED TO CURB  
SETTING BLOCK AT EACH LOCATION  
(Fastener Size, Type & Locations T.B.D)  
(Per Acurlite P.E. Analysis)

CONTINUOUS SEAL  
(Dow Corning 795 Silicone Applied)

1/4" WEEP HOLE & COVER  
(Located as Required)

THERMAL BREAK  
(Pour & Debridge)

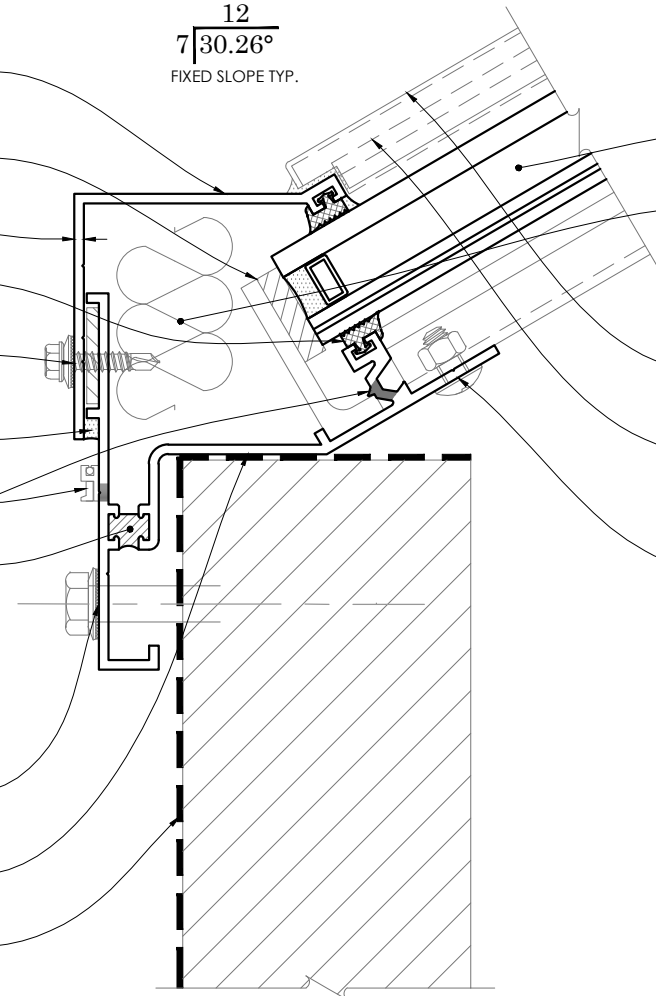
**INSTALLATION<sup>2</sup>**

FASTEN SKYLIGHT TO CURB  
SHIM IF REQUIRED  
(Fastener Size, Type & Locations T.B.D. - Provided)  
(Per Acurlite P.E. Analysis - Provided)

SET SKYLIGHT IN BED OF SEALANT  
(Use Dow Corning 795 Silicone - Provided)

ISOLATION / WATERPROOF MEMBRANE  
(Details Per Contract Documents)  
(Not By Acurlite - Provided By Others)

$\frac{12}{7}$  30.26°  
FIXED SLOPE TYP.



**OPTIONS<sup>3</sup>**

STANDARD & CUSTOM FINISHES  
(Paint, Anodize & Powder Coat Available)

INSULATED LAMINATED / LAMINATED GLAZING  
(Various Low-E, Tint, Frit, And/Or Dynamic Glass Available)  
(Required Thickness Per AAMA Guidelines)

MINERAL WOOL INSULATION  
(Provided for Additional Cost)

**FACTORY CONT.<sup>1</sup>**

EXTRUDED ALUM. COVER CAP

EXTRUDED ALUM. PRESSURE CAP  
FASTENED TO RAFTER & SEALED  
(Dow Corning 795 Silicone Applied)  
(Fastener Size, Type & Locations T.B.D)  
(Per Acurlite P.E. Analysis)

EXTRUDED ALUM. RAFTER  
FASTENED TO EXTRUDED CURB  
(Fastener Size, Type & Locations T.B.D)  
(Per Acurlite P.E. Analysis)

**PLEASE NOTE<sup>4</sup>**

CURB MUST RESIST ALL LOADS / REACTIONS  
IMPOSED BY SKYLIGHT  
(Reactions Provided By Acurlite P.E.)  
(Responsible E.O.R. To Verify And Approve)

CURB SHOULD BE FLAT, LEVEL & SQUARE  
(Not By Acurlite - Provided By Others)

CURB & SUBSTRUCTURE  
(Details / Makeup Per Contract Documents)  
(Not By Acurlite - Provided By Others)

**D1** SILL W/ RAFTER  
TYPICAL DETAIL

**OPTIONS<sup>3</sup>**

**STANDARD & CUSTOM FINISHES**  
(Paint, Anodize & Powder Coat Available)

**INSULATED LAMINATED / LAMINATED GLAZING**  
(Various Low-E, Tint, Frit, And/Or Dynamic Glass Available)  
(Required Thickness Per AAMA Guidelines)

**MINERAL WOOL INSULATION**  
(Provided For Additional Cost)

**FACTORY ASSEMBLY<sup>1</sup>**

**EXTRUDED ALUM. SNAP CAP**

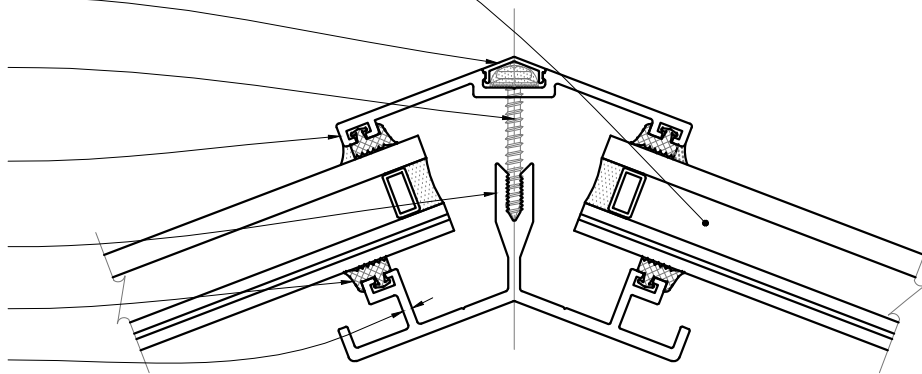
**HIP CAP FASTENED TO HIP RAFTER & SEALED**  
(Dow Corning 795 Silicone Applied)  
(Fastener Size, Type & Locations T.B.D.)  
(Per Acurlite P.E. Analysis)

**EXTRUDED ALUM. HIP CAP  
W/ GASKET & CONTINUOUS SEAL**  
(Dow Corning 795 Silicone Applied)

**EXTRUDED ALUM. HIP RAFTER**  
(Reinforcement As Required)  
(Per Acurlite P.E. Analysis)

**SILICONE GASKET**

**.100" MIN. THICKNESS**  
(Typical Structural Members)



**D2** **HIP RAFTER**  
**TYPICAL DETAIL**



**acurlite**  
**Structural Skylights, Inc.**

www.acurlite.com sales@acurlite.com  
570.759.6882

© NOV 20, 2017

**EZ LITE  
SYSTEM  
DETAILS**

SCALE:

6" = 1' - 0"

DRAWN BY:

K.A.M.

CHECKED BY:

C.H.M.

DATE - ISSUE:

11/20/17 - A

SHEET:

D2



**acurlite**  
Structural Skylights, Inc.

www.acurlite.com sales@acurlite.com  
570.759.6882

© NOV 20, 2017

**EZ LITE  
SYSTEM  
DETAILS**

SCALE:

6" = 1' - 0"

DRAWN BY:

K.A.M.

CHECKED BY:

C.H.M.

DATE - ISSUE:

11/20/17 - A

SHEET:

D3

**OPTIONS<sup>3</sup>**

**STANDARD & CUSTOM FINISHES**  
(Paint, Anodize & Powder Coat Available)

**INSULATED LAMINATED / LAMINATED GLAZING**  
(Various Low-E, Tint, Frit, And/Or Dynamic Glass Available)  
(Required Thickness Per AAMA Guidelines)

**MINERAL WOOL INSULATION**  
(Provided for Additional Cost)

**FACTORY ASSEMBLY<sup>1</sup>**

**1/16" FORMED ALUM. INT. / EXT. PEAK CAP**

**BACKER ROD & CONTINEOUS SEAL**  
(Dow Corning 795 Silicone Applied)

**CONTINUOUS STRUCTURAL SEAL IF REQUIRED**  
(Dow Corning 995 Structural Silicone Applied)

**EXTRUDED ALUM. COVER CAP**

**EXTRUDED ALUM. PRESSURE CAP  
W/ GASKET & CONTINUOUS SEAL**  
(Dow Corning 795 Silicone Applied)

**PURLIN / RAFTER FASTENED TO RIDGE PLATE**  
(Fastener Size, Type & Locations T.B.D.)  
(Per Acurlite P.E. Analysis)

**SILICONE GASKET**

**EXTRUDED ALUM. PURLIN**

**EXTRUDED ALUM. RAFTER**

**1/4" FORMED ALUM. RIDGE PLATE**  
(Sized/Reinforced As Required)  
(Per Acurlite P.E. Analysis)

**1/16" ALUM. RIDGE COVER PLATE**  
(Adhered To Ridge Plate)

$\frac{12}{7}$   
30.26°  
FIXED SLOPE TYP.

**D3** **RIDGE W/ RAFTER**  
**TYPICAL DETAIL**



**acurlite**  
Structural Skylights, Inc.

www.acurlite.com sales@acurlite.com  
570.759.6882

© NOV 20, 2017

**EZ LITE  
SYSTEM  
DETAILS**

SCALE:

6" = 1' - 0"

DRAWN BY:

K.A.M.

CHECKED BY:

C.H.M.

DATE - ISSUE:

11/20/17 - A

SHEET:

D4

**OPTIONS<sup>3</sup>**

STANDARD & CUSTOM FINISHES  
(Paint, Anodize & Powder Coat Available)

INSULATED LAMINATED / LAMINATED GLAZING  
(Various Low-E, Tint, Frit, And/Or Dynamic Glass Available)  
(Required Thickness Per AAMA Guidelines)

MINERAL WOOL INSULATION  
(Provided for Additional Cost)

**FACTORY ASSEMBLY<sup>1</sup>**

EXTRUDED ALUM. COVER CAP

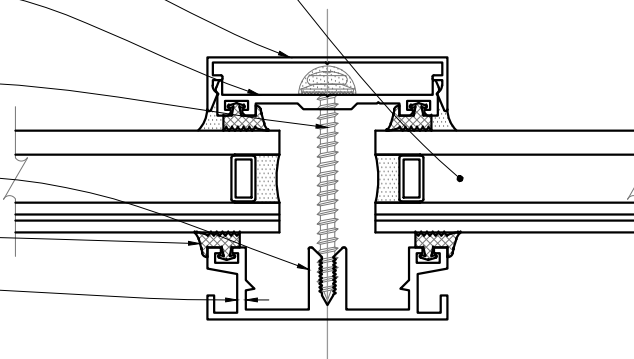
EXTRUDED ALUM. PRESSURE CAP  
W/ GASKET & CONTINUOUS SEAL  
(Dow Coring 795 Silicone Applied)

PRESSURE CAP FASTENED TO RAFTER & SEALED  
(Dow Coring 795 Silicone Applied)  
(Fastener Size, Type & Locations T.B.D)  
(Per Acurlite P.E. Analysis)

EXTRUDED ALUM. HIP RAFTER  
(Reinforcement As Required)  
(Per Acurlite P.E. Analysis)

SILICONE GASKET

.100" MIN. THICKNESS  
(Typical Structural Members)



**D4** RAFTER  
TYPICAL DETAIL